

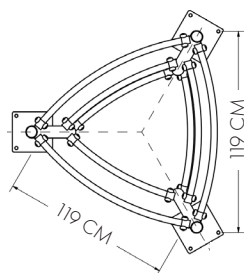
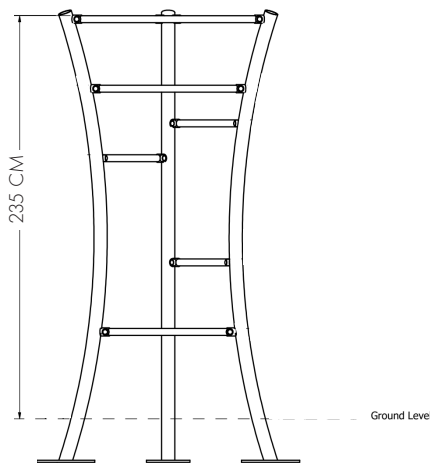
NWPLAY115 Parkour



Playing in the Parkour climbing frame strengthens body awareness, muscle mass and balance when moving over, under and through obstacles. For the older children and teens, the ribs can also be strength training - doing dips, pull-ups and push-ups.

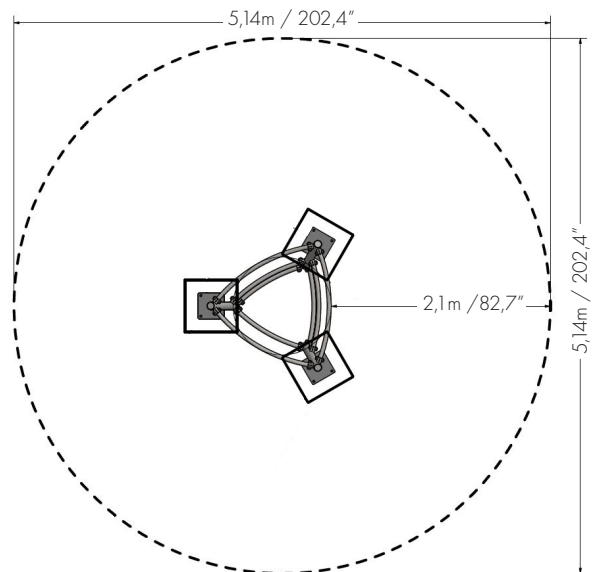
**TECHNICAL DATA:**

HEIGHT: 235 CM  
 LENGHT: 119 CM  
 WIDTH: 119 CM  
 IN-GROUND: 25 CM  
 WEIGHT: 125 KG  
 FREE FALL HEIGHT: 232 CM  
 ZONE: 20,8 m<sup>2</sup>



**POSITION AND SAFETY ZONE:**

Area = 20,8m<sup>2</sup> / 223,9 ft<sup>2</sup>  
 Free Fall Height = 232cm / 91,3"



**DESIGNED TO PLAY**

All Norwell PLAY equipment is inspired by Norwell's well known curve, - the main element of our design, which creates a light and transparent construction. Combined with our choice of colour, it can fit into any environment and in a playful way develops the child's balance and motor skills. All our equipment expresses the best of Danish Design, quality, functionality, and aesthetics.

**SAFE DESIGN**

All the Norwell Outdoor PLAY equipment comply with the European Playground equipment standard EN1176.

**10 YEAR WARRANTY**

10 years against failure due to material or manufacturing defects and corrosion breakthrough on pipes, foundations and welds. Please contact us for more information about warranty coverage, and for sites within 5 km of saltwater.

**2 YEAR WARRANTY**

2 years against failure due to material or manufacturing defects and corrosion breakthrough on all moving parts, plastic and rubber parts.