

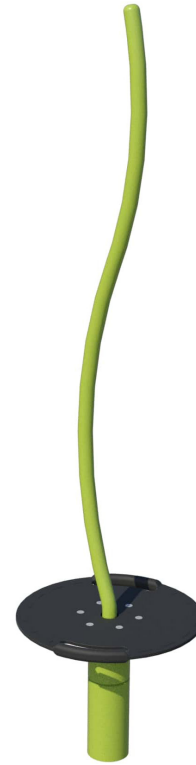
NWPLAY208 Spinner



Spinner is a stand-alone play equipment that activates by movements around the center point. By holding on to the curved pole and with different body positions the spinning speed will increase and decrease. Mastering the rotation element stimulates the cognitive skills of the child, in particular the logical thinking. By playing on the Spinner, also agility, balance and coordination skills are trained.

TECHNICAL DATA:

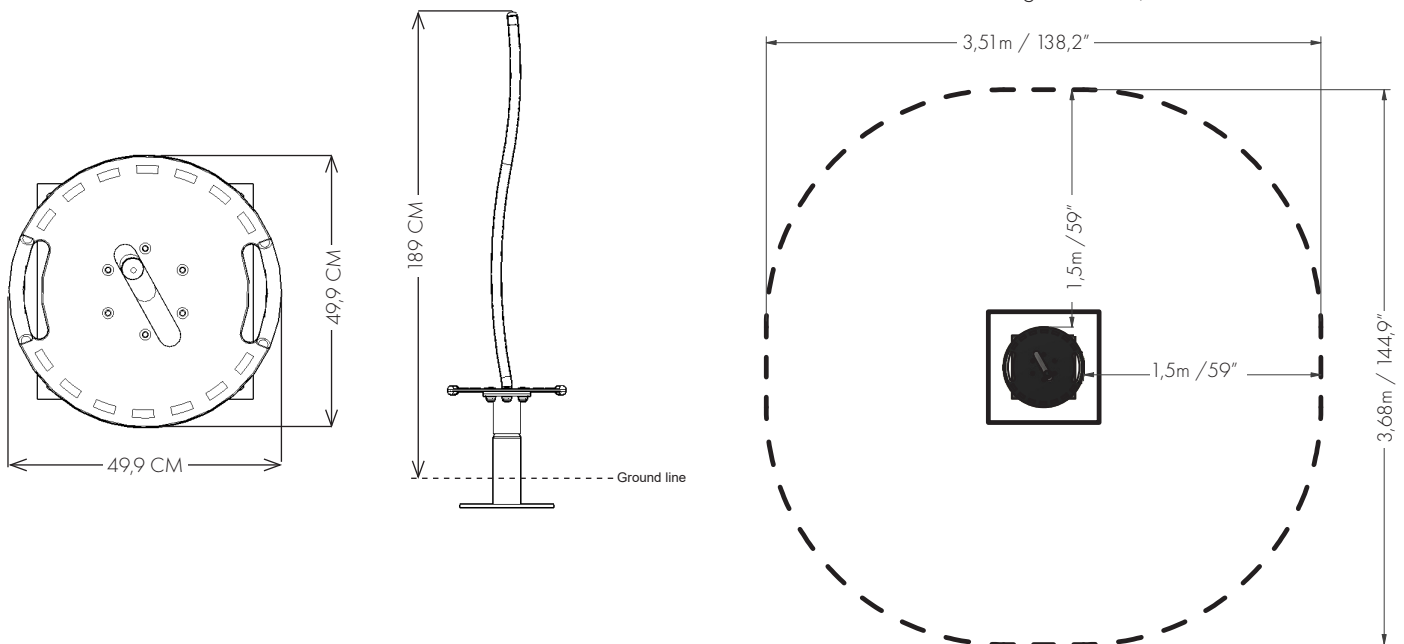
- HEIGHT: 189 CM
- LENGTH: 49,9 CM
- WIDTH: 49,9 CM
- IN-GROUND: 25 CM
- WEIGHT: 46 KG
- FREE FALL HEIGHT: 21 CM
- ZONE: 10,4 m²



POSITION AND SAFETY ZONE:

Area = 10,4m² / 111,9 ft²

Free Fall Height = 21 cm / 8,3"



DESIGNED TO PLAY

All Norwell PLAY equipment is inspired by Norwell's well known curve, - the main element of our design, which creates a light and transparent construction. Combined with our choice of colour, it can fit into any environment and in a playful way develops the child's balance and motor skills. All our equipment expresses the best of Danish Design, quality, functionality, and aesthetics.

SAFE DESIGN

All the Norwell Outdoor PLAY equipment comply with the European Playground equipment standard EN1176.

10 YEAR WARRANTY

10 years against failure due to material or manufacturing defects and corrosion breakthrough on pipes, foundations and welds. Please contact us for more information about warranty coverage, and for sites within 5 km of saltwater.

2 YEAR WARRANTY

2 years against failure due to material or manufacturing defects and corrosion breakthrough on all moving parts, plastic and rubber parts.