

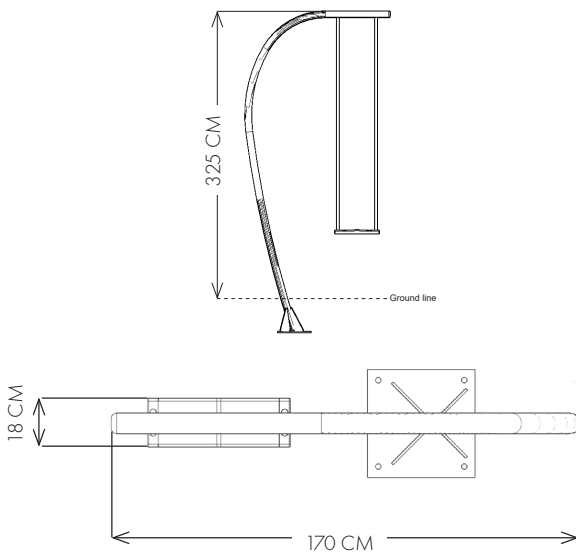
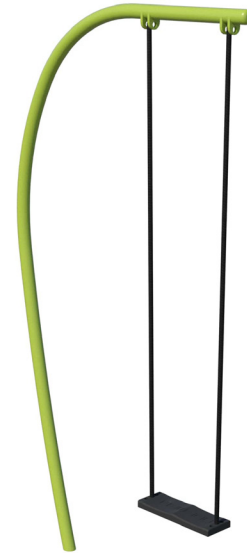
NWPLAY211 Swing-Single



Swinging develops the child's senses and helps to increase the ability to concentrate. The swing movements stimulate the main balance, which captures information about direction and speed. A swing ride not only gives a buzz in the stomach, but also trains coordination when the body and legs have to move in a controlled way, to keep the speed going. Apart from having fun, swinging trains the child's agility, balance, motor skills and coordination. And at the same time trains arm, leg and core. The aesthetic Norwell bow with discreet appearance fit into any environment.

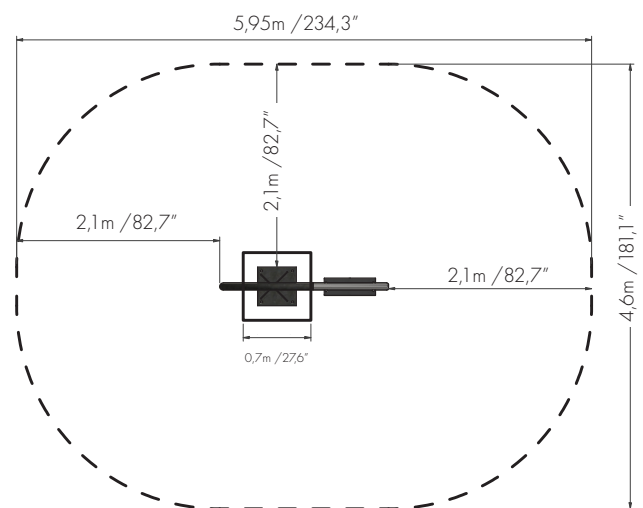
TECHNICAL DATA:

- HEIGHT: 325 CM
- LENGTH: 170 CM
- WIDTH: 18 CM
- IN-GROUND: 40 CM
- WEIGHT: 51 KG
- FREE FALL HEIGHT: 50 CM
- ZONE: 23,6 m²



POSITION AND SAFETY ZONE:

Area = 23,6m² / 254ft²
 Free Fall Height = 150cm / 19,7"



DESIGNED TO PLAY

All Norwell PLAY equipment is inspired by Norwell's well known curve, - the main element of our design, which creates a light and transparent construction. Combined with our choice of colour, it can fit into any environment and in a playful way develops the child's balance and motor skills. All our equipment expresses the best of Danish Design, quality, functionality, and aesthetics.

SAFE DESIGN

All the Norwell Outdoor PLAY equipment comply with the European Playground equipment standard EN1176.

10 YEAR WARRANTY

10 years against failure due to material or manufacturing defects and corrosion breakthrough on pipes, foundations and welds. Please contact us for more information about warranty coverage, and for sites within 5 km of saltwater.

2 YEAR WARRANTY

2 years against failure due to material or manufacturing defects and corrosion breakthrough on all moving parts, plastic and rubber parts.