

NWPLAY502 Ping Pong



The Ping Pong table is designed for play and movement, where everyone can participate. Brings together children and young people of all ages. Invites to exercise and socializing, playing and fun competitions while having a good time and being challenged on fitness, concentration and coordination.

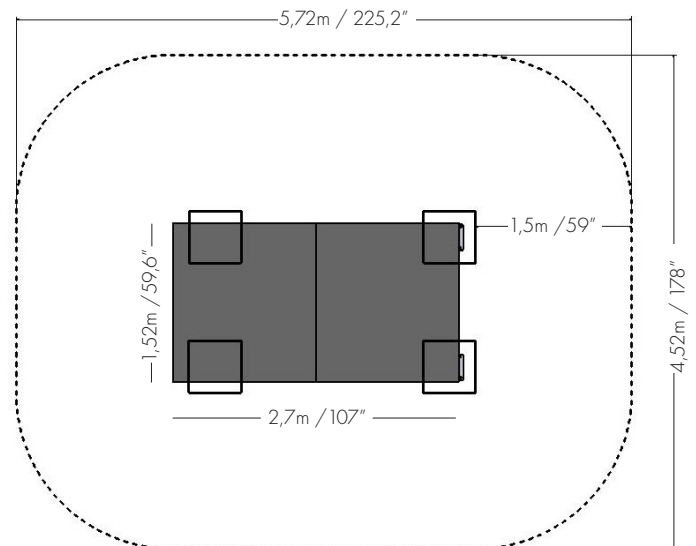
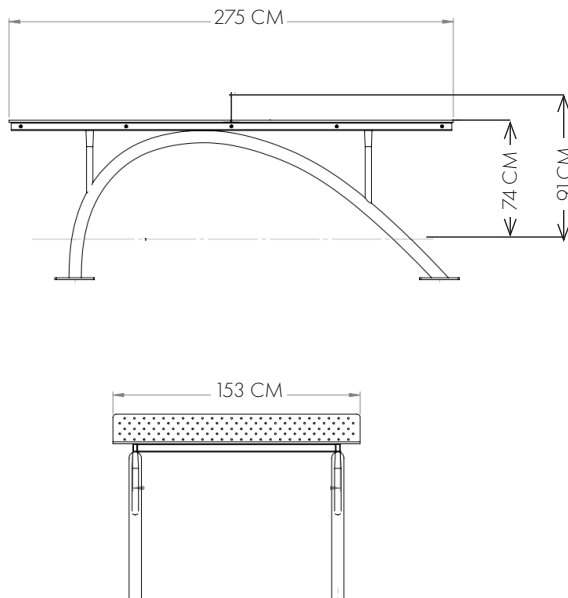


TECHNICAL DATA:

HEIGHT: 74/91 CM
 LENGHT: 275 CM
 WIDTH: 153 CM
 IN-GROUND: 25 CM
 WEIGHT: 196 KG
 FREE FALL HEIGHT: 74 CM
 ZONE: 23,7 m²

POSITION AND SAFETY ZONE:

Area = 23,7m² / 255,1 ft²
 Free Fall Height = 74cm / 29,1"



DESIGNED TO PLAY

All Norwell PLAY equipment is inspired by Norwell's well known curve, - the main element of our design, which creates a light and transparent construction. Combined with our choice of colour, it can fit into any environment and in a playful way develops the child's balance and motor skills. All our equipment expresses the best of Danish Design, quality, functionality, and aesthetics.

SAFE DESIGN

All the Norwell Outdoor PLAY equipment comply with the European Playground equipment standard EN1176.

10 YEAR WARRANTY

10 years against failure due to material or manufacturing defects and corrosion breakthrough on pipes, foundations and welds. Please contact us for more information about warranty coverage, and for sites within 5 km of saltwater.

2 YEAR WARRANTY

2 years against failure due to material or manufacturing defects and corrosion breakthrough on all moving parts, plastic and rubber parts.