

NW503 Sign



Norwell Sign offers the opportunity to e.g. give detailed information about each training station.

Sign shares information about the training concept, the Norwel Smartphone App and the Norwell Outdoor Fitness park.

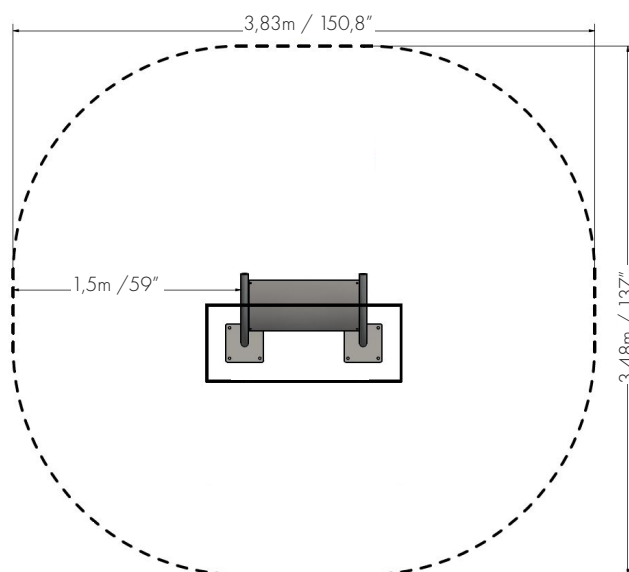
Norwell Sign gives a progressive signage to your Norwell Outdoor Fitness park.

Customized graphic design is possible.



POSITION AND TRAINING ZONE:

Trainingzone = 11,4m² / 122,7ft²



DESIGN FOR ALL

All Norwell fitness stations utilize the users own body weight as resistance, therefore the exercises can be performed without risk of injuries. As a result, Norwell fitness stations are challenging and effective regardless of fitness level.

SAFE DESIGN

The Norwell Outdoor Fitness stations are tested and approved by TÜV Product Service GmbH according to DIN79000, EN16630 and AfPS GS 2014:01 PA.

10 YEAR WARRANTY

10 years against failure due to material or manufacturing defects and corrosion breakthrough on pipes, foundations and welds. Please contact us for more information about warranty coverage, and for sites within 5 km of saltwater.

2 YEAR WARRANTY

2 years against failure due to material or manufacturing defects and corrosion breakthrough on all moving parts, plastic and rubber parts.