

RECO seesaw - 10018V



TECHNICAL DATA:

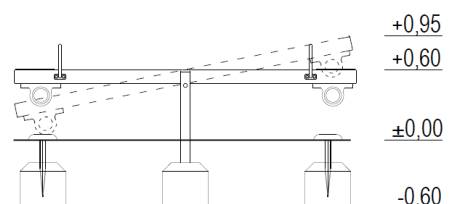
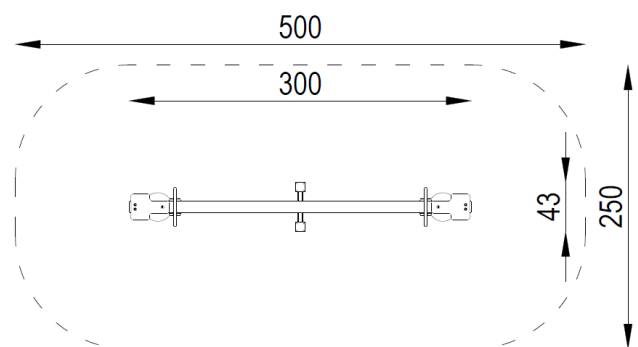
Easily accessible device,
according to standard EN 1176-1 : 2017

Device dimensions:	3,00 x 0,43m
Device height:	0,95m
Minimum space:	5,00 x 2,50m
Falling area:	11,64m ²
Critical fall height:	0,91m
Foundations depth:	-0,60m

The device according to EN 1176-1 : 2017
Playground equipment and surfacing – Part 1:
General safety requirements and test methods.

Safety surfaces:
- turf/topsoil, sand, gravel, bark, synthetic surface
- minimal thickness for loose particulate materials 200+100mm
- synthetic surface according to critical fall height

Projection and device view



MATERIALS:

Construction:	galvanized steel
Horizontal beam:	recycled material
Grips:	galvanized steel, powder coated
Seat:	recycled material
Bumper:	made of rubber granulate
Caps:	plastic
Foundations:	concrete min. C12/15 standard