

RECO SWING - 10017V



TECHNICAL DATA:

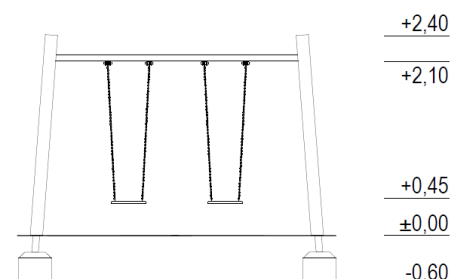
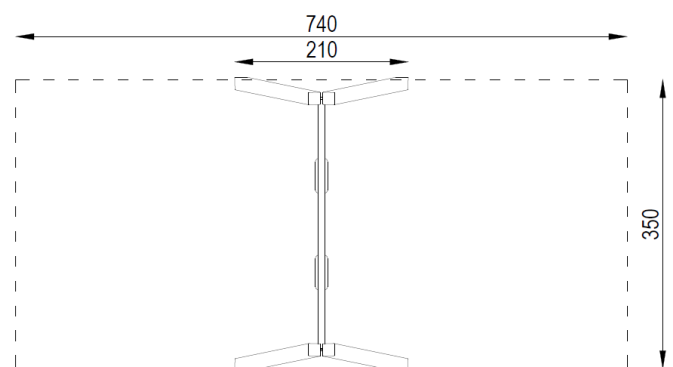
Easily accessible device,
according to standard EN 1176-1 : 2017

Device dimensions: 3,50 x 2,10m
 Device height: 2,40m
 Minimum space: 3,50 x 7,40m
 Falling area: 25,90m²
 Critical fall height: 1,25m
 Foundations depth: -0,60m

The device according to EN 1176-1 : 2017
 Playground equipment and surfacing – Part 1:
 General safety requirements and test methods.

Safety surfaces:
 - sand, gravel, bark, synthetic surface
 - minimal thickness for loose particulate materials 200+100mm
 - synthetic surface according to critical fall height

Projection and device view



COMPONENTS:

Supporting structure 1 set
Slat seat 2 pcs

MATERIALS:

Construction poles: recycled material
Steel elements: galvanized steel, powder coated
Slat seat: made of steel construction,
coated with rubber
Chain: stainless steel, calibrated
Caps: plastic
Foundations: concrete min. C12/15 standard